

Government of India
Archaeological Survey of India
Chennai Circle

Fort St. George
Chennai 600 009

F.No.2/13/SR(P)/GIN/10-11/

Dated:

NOTICE INVITING TENDER

The Superintending Archaeologist, Archaeological Survey of India, Chennai Circle, Fort St. George, Chennai, on behalf of President of India, invites tender in sealed cover for execution of work **from only Registered Contractors in ASI**. Tenders will be received up to 3.00 p.m. on **20.08.2010** and will be opened in the office of the Superintending Archaeologist, Archaeological Survey of India, Chennai Circle, Chennai on the same day at 15.15hrs.

1. Making, supplying and fixing of M.S. grill for the work of Krishnagiri Fort at Gingee:

<u>Estimated Cost of Rs.729925/-</u>	<u>EMD: Rs.17100/-</u>
a. Making and supplying M.S. grill	250 Rmt
b. Fixing of M.S. grill with 'L' angle iron frame	250 Rmt
c. Providing coping to the top of C.R. stone masonry dwarf wall	250 Rmt
d. Providing and pointing the coursed rubble stone masonry dwarf wall 225m2	

The Contractor/Supplier will be permitted to attend tender opening. The tender documents are available on website www.asi.nic.in which may be down loaded and should be submitted duly filled along with the earnest money and tender cost separately in the form of Demand Draft of any Nationalized Bank obtained in favour of the "Superintending Archaeologist, Archaeological Survey of India, Chennai Circle, Chennai-9". A separate DD towards VAT should be obtained in favour of the Commercial Tax Officer, Esplanade, Chennai. **All tender forms downloaded from ASI website shall be accepted only if the tender form cost is remitted while submitting the tenders**

The tender forms of contractors who do not deposit earnest money, tender cost and VAT as prescribed will be summarily rejected. The sealed cover should be superscribed with the name of work & opening date.

Tender documents can also be obtained on all working days on payment of **Rs.500/-** plus VAT (non-refundable) upto **18.08.2010** from the following:

The Senior Conservation Assistant
Archaeological Survey of India
Gingee sub-circle
Gingee

AND

The Superintending Archaeologist
Archaeological Survey of India
Chennai Circle, Fort St. George
Chennai 600 009

The undersigned reserves the right to reject any or all the tender without assigning any reason.

Superintending Archaeologist

PERCENTAGE RATE – TENDER FOR WORKS - A.S.I.

I. I/We hereby tender for the execution for President of India of the work specified in the underwritten memorandum within the time specified in such memorandum at

-----Percent below/above the rates entered in the schedule mentioned in Rule 1 and in accordance in all respects with the specifications, designs, drawing and instructions in writing referred to Rule 1 hereof & in clause 11 of the conditions of contract, and with such materials as are provided for by and in all other respects in accordance with such conditions so far as applicable.

MEMORANDUM

- a) General Description : SR(P) to Krishnagiri Fort at Gingee
(As per schedule enclosed vide No.II)
- b) Estimated Cost : Rs.729925/-
- c) Earnest Money : Rs.17100/-
- d) Security Deposit (including Earnest Money) : 10%
- e) Percentage if any to be deducted from bill : -
- f) Time allowed for the work from date of written order to commence : 120 days

Should this tender be accepted, I/We are hereby agree to abide by and fulfill all the terms and provisions of the conditions in the pamphlet names 'General conditions and Instructions of Contract' which have been read by me/read and explained to me so far as applicable or in default thereof to forfeit and pay to the President of India or his successors in office the same sum of money mentioned in the said conditions.

The sum of Rs. _____

_____ is herewith forwarded in currency notes as earnest money the full value of which is to be absolutely forfeited to the said President or his successors in office, without prejudice or to any other rights or remedies of the said President or his successors in office, should I/We not deposit the full amount of security deposit specified in the above memorandum, in accordance with the clause (I) (A) of the said conditions of contract, otherwise the said sum of Rs. _____ shall be retained by Government as on account of such security deposit as aforesaid: or (b) the full value of which shall be retained by the Government on account of security deposit specified in Clause (I) (B) of the said conditions of contract.

In figures as well as in words

* (a) If several sub works are included they should be detailed in a separate list.

Give particulars and numbers

@ Strike out (a) if no cash security deposit is to be taken.

Strike out (b) if any cash security deposit is to be taken.

Dated the _____ day of _____ 2009

Witness : _____ Signature of Contractor
before submission of tender

Address : _____ Signature of Witness to
Contractor's signature.

Occupation :

The tender is hereby accepted by me on behalf of the President of India.

Dated the _____ day of _____ 200

Schedule showing (approximately) materials to be supplied by the Archaeological Survey of India under clauses (10) and (25) of the conditions of contract for Work contracted to be executed and the rate at which they are to be charged for :

Particulars	Rates at which the materials will be charged to the Contractor	Amount Rs.	Place of Delivery

Note : The _____ or firm submitting the tender should see that the rates in the above schedule are filled up by the Engineer-in-charge on the issue of the form prior to the submission of the tender.

Signature of Contractor

Signature

**Sub-Divisional
Officer/Divisional Officer**

II. Schedule to accompany the tender for the work of SR(P) to Krishnagiri Fort at Gingee

Sl. No.	Description of work to be executed	Qty.	Rate Rs.	Unit	Amount Rs.
1.	Making and supplying M.S. grill using 50x50x6mm 'L' angle as vertical post with 50x6mm M.S. flat in horizontal at equal interval and 16mm M.S. round at 10cm. c/c and painting with two coats of synthetic enamel paint over a coat of metal primer etc. complete including cost of all materials and labour charges (as per the sketch enclosed) (as per directions of department officials)	250Rmt	2470/-	1Rmt	617500.00
2.	Fixing of M.S. grill with 'L' angle iron frame and M.S. rounds in vertical using P.C.C. 1:2:4 curing etc. complete including cost of all materials and labour charges (as per directions of department officials)	250Rmt	93/-	1Rmt	23250.00
3.	Providing coping to the top of C.R. stone masonry dwarf wall in P.C.C. 1:2:4 using 20mm stone jelly finishing the top slope curing etc. complete including cost of all materials and labour charges (as per directions of department officials)	250Rmt	255/-	1Rmt	63750.00
4.	Providing and pointing the coursed rubble stone masonry dwarf wall in combination mortar 1:1:3 with necessary curing etc. complete including cost of all materials and labour charges (as per directions of department officials)	225m2	1130/-	10m2	25425.00
(Rupees Seven lakhs twenty nine thousand nine hundred and twenty five only)				Total	729925.00

CONDITIONS

1. The work should be completed with in **120 days** from the date of issue of written order to commence the work
2. The work should be done to the complete satisfaction of the officer-in-charge conforming to the M.D.S.S. Specifications.
3. The Contractor should take particular care to see that no damage is caused to any part of the monument while executing the work

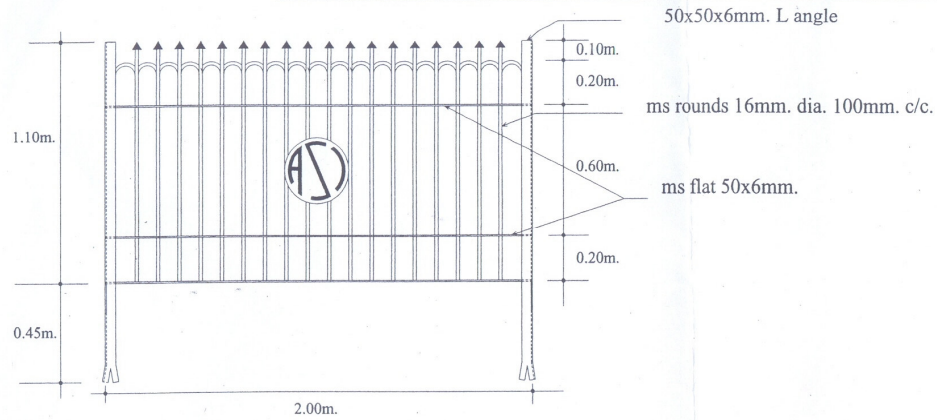
Superintending Archaeologist

I agree to abide by the above conditions and quote the rate at _____% above/below the estimated cost. Should the tender be accepted, I hereby agree to abide by and full fill all the conditions and Specifications contained in the CPWD Pamphlet No.7 named 'General Instructions and conditions of Contract' which have been read by me or in default thereof to forfeit' and pay to the President of India or his successors, the penalty of sum of money mentioned in the said conditions.

CONTRACTOR

NAME OF WORK :SR(P) TO KRISHNAGIRI FORT GINGEE -2010-11

M.S GRILL FENCING PROPOSED UNDER ITEM NO. 8



[Signature]
SENIOR CONSERVATION ASSISTANT,
GINGEE FORT, GINGEE.

Superintending Archaeologist.

[Signature]
Assistant Superintending
Archaeological Engineer
ARCHAEOLOGICAL SURVEY OF INDIA
CHENNAI CIRCLE
CHENNAI - 600 009.

[Signature]
Superintending Archaeologist
Archaeological Survey of India
Chennai Circle, Chennai - 9
[Signature]